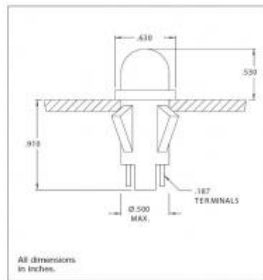


## Products

### Neon & Incandescent Indicators

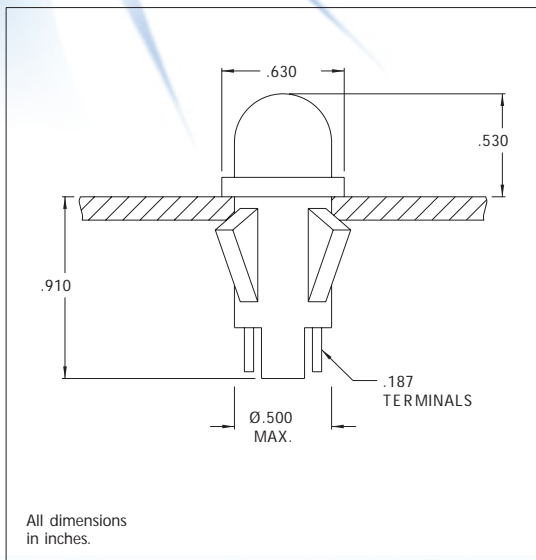
CML IT offers panel mount indicators manufactured with LED, Neon or Incandescent light sources. These indicators are available in a number of different lens and termination styles, with voltages of 2V ~ 250V available off-the-shelf.



**Part Number:** 1051QA4  
**Serial Number:** 1051  
**Light Source:** Neon  
**Color:** White  
**Voltage (V):** 250VAC  
**Mounting Hole (inch):** 0.50  
**Mounting Hole (metric):** 12,7  
**Termination:** .187" QC  
**Bezel color:** Stainless Steel  
**Housing color:** White  
**UL file:** E20325  
**CSA file:** LR13346  
**RoHS Status:** Yes

**1050QA, 1051QA, 1052QA and 1053QA Series Non-Relampable Neon Indicator Lights**

**DESCRIPTION AND FEATURES**



Mounting: Will snap-fit into Ø.500/.505 hole in panels .020/.100 thick. Push-on speednut SN0461 also available.  
 Mounting hole pattern on page SP2.

Terminals: Quick-connect, tinned brass

Lens: Polycarbonate

Bezel: Polished stainless steel.  
 For black finish add "X" after the series letter(s).

Housing: White Nylon

Lens Color	Neon	
	Model No. (105-125VAC)	Model No. (208-250V)
Red	1050QA1	1051QA1
Clear	1050QA2	-
Amber	1050QA3	1051QA3
White	1050QA4	1051QA4
Green	1052QA5*	1053QA5*
Blue	1052QA6**	1053QA6**
Lamp used	C 2A+Resistor	
Quick Connect Terminals		

\* Incorporates G2B lamp and resistor.

\*\* Incorporates T2B lamp and resistor.

Underwriters Laboratories (UL) File No. E20325

Canadian Standards Association (CSA) File No. LR13346